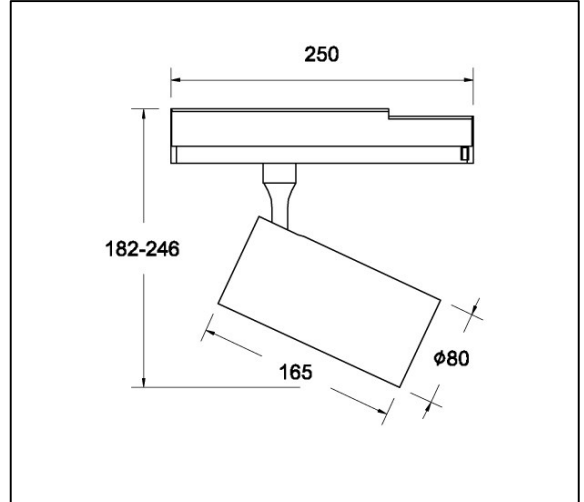


DGT Track Light MD5314 32W Single Colour



MODEL	CS-DGT-MD5314-WH-3000K CS-DGT-MD5314-WH-4000K	OPERATING TEMPERATURE (°C)	-20°C to +40°C
WATTAGE (W)	32W	DIMMABLE (Y/N)	YES
POWER FACTOR (PF)	PF>0.8	BEAM ANGLE (°)	24°
INPUT VOLTAGE (V)	AC 220-240V	TILT ANGLE (°)	90° Vertical, 350° Rotation
COLOUR TEMPERATURE (K)	3000K / 4000K	DIMENSION (mm)	See dimension drawing
LUMEN OUTPUT (LM)	2420 LM	NET WEIGHT (Kg)	0.79Kg (without track)
EFFICACY (LM/W)	75 LM/W	FINISH & Material	Black or White, Aluminum
CRI (Ra)	90	INSTALLATION TYPE	Universal 3 Wire and 1 Circuit Track
COMPLIANCE	SAA	LIFESPAN (hr.)	25,000 hr.
IP RATING	IP20	WARRANTY (yr.)	3 yr.