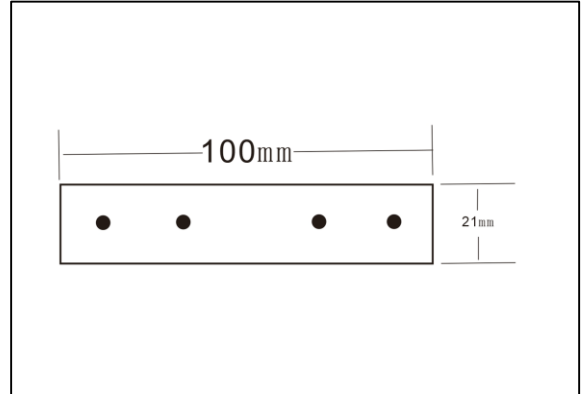
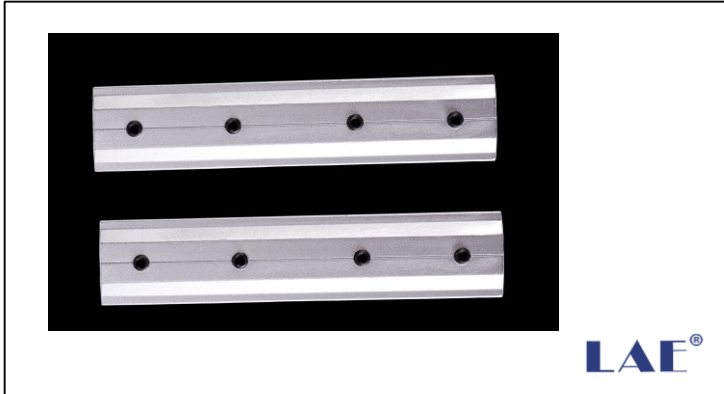


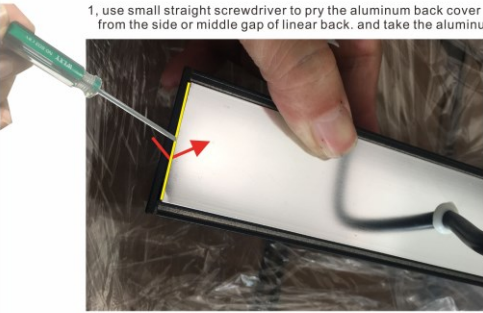
# LAE Linear Light Joint 10\*21mm 1 set of 2 SM (Surface/Suspension Mount)



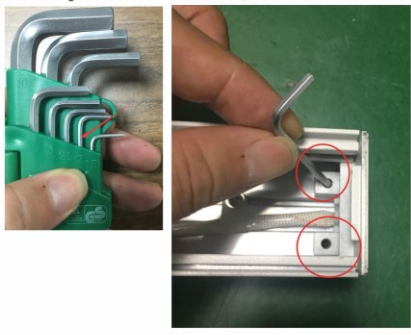
MODEL	CS-LAE-LINEAR-CR2-SM
-------	----------------------

### How to open back cover and side cover of linear light

- 1, use small straight screwdriver to pry the aluminum back cover from the side or middle gap of linear back, and take the aluminum cover off



- 2, after step 1, you can see there 2 screw holes at 2 sides of linear back, use M2 hexagon wrench to unscrew them, then take off the side cover.



### Connecting linears to be "I、L、T、Cross"

Connecting regular linear lights with "I,L,T,Cross" modules (I,L,T,Cross Module with independent driver)

- 1, slip diffuser a little bit or take off 1pc lens to make sink comes out.
- 2, insert aluminum connection piece to profiles
- 3, lock 4 screws of aluminum piece tightly, put diffuser or lens back to position
- 4, you can connect input cable of each linear to terminal of neighbouring linear, connect one by one, to make only one cable comes down from ceiling for many linears straight connection.

